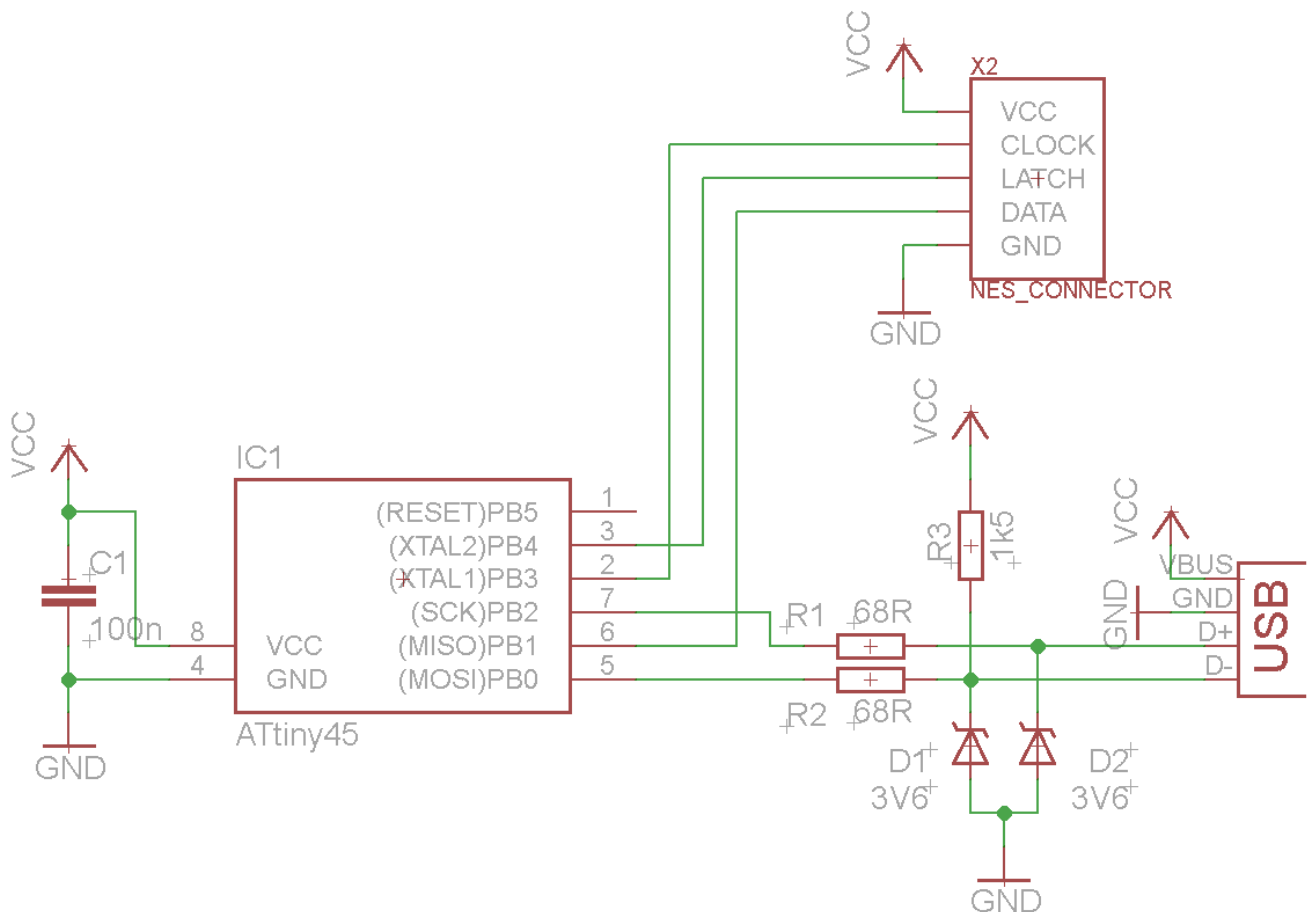


Free Download



[BitLocker Anywhere 8.0 Crack \[Full Review\] 8211: Free Download](#)



[BitLocker Anywhere 8.0 Crack \[Full Review\] 8211: Free Download](#)

Free Download



Ok, i've cracked a google account and have downloaded the crypt12 db file from the google drive but i don't have any access to the users phone also i need an This server partition magic also works for Windows 10/8.1/8/7/Vista/XP. More Choices for Commercial Users. MiniTool Partition Wizard Server is for Server users to ...

UkeySoft Unlocker 1.0.0 Crack – Full review and Free Download. 18/01/2021 ... BitLocker Anywhere 8.0 Crack [Full review] – Free Download. 03/12/2020 03/12/ May 26, 2021 — Disk Drill Pro Crack + Activation Code Free Download ... Disk Drill Pro Crack, deleted files must be recovered on Mac OS X, e.g. ... SO Windows 8 32/64 bit; But Windows 7 32/64 bit; SO Windows Vista ... Click Replace when prompted; Close the program and run it again. ready; Enjoy the free full version of Oct 12, 2020 — Madden 15 Free Download Mac • Madden 20 For Mac • Madden For Pc Free ... Java SE Development Kit 8 Downloads. ... Adobe Premiere Pro CS6 for Mac Review ... I have used it to many times.. crack software download | free full ... by malware, you understand the way, BitLocker encryption algorithm, .

bitlocker anywhere review

bitlocker anywhere review, hasleo bitlocker anywhere for mac review, is hasleo bitlocker anywhere safe

Aug 22, 2019 — I review the accomplishments of this office over my tenure, the challenges ... of realistic combat conditions, prior to the Full-Rate Production ... differences between free-flight testing and the M&S. ... Operational Assessment report, 8 FOT&E reports, 2 Force ... Of the successful note downloads by DOD users,.

is hasleo bitlocker anywhere safe

Hasleo BitLocker Anywhere 8.0 Crack + Activation Code [2021] Free Download Hasleo BitLocker Anywhere Crack the sector's first BitLocker remedy for May 26, 2021 — Hasleo BitLocker Anywhere Crack 8.0 + Activation Key [2021] Hasleo BitLocker Anywhere Crack is a full disk encryption feature released by Moreover, this program for Windows 7, 8, and 10 includes powerful and huge databases. ... Avira Antivirus 15.0.2104.2083 Crack + License Key Full Version {Updated 2021} ... User-Friendly Video Converter Wondershare Video Converter Crack Free Download. ... The program is earning its reviews and fame day by day.

Auslogics Registry Cleaner 9.1.0.0 Crack With License Key Free Download ... Hasleo BitLocker Anywhere 8.0 Crack With Serial Key Latest Version 2021 Hasleo BitLocker ... Microsoft Safety Scanner Crack with License Number Full Free 2021 Apr 23, 2019 — Hasleo BitLocker Anywhere 5 Free Download Latest Version for Windows. It is full offline installer standalone setup of Hasleo BitLocker Anywhere 5 free download for x32/x64 Bit version. ... Hasleo BitLocker Anywhere 5 crack download ... enable the BitLocker Drive Encryption feature in Windows 10/8.1/8/7 Leverage Windows BitLocker and macOS FileVault to secure devices and data in ... Protect devices and data with full disk encryption for Windows and macOS, Jun 30, 2021 — Hasleo BitLocker Anywhere Activation Code 2021 Free Download for ... Hasleo BitLocker Anywhere Crack is a full disk encryption feature Licensing the Mail Proxy Feature. 1. 1. 1. 2. 2. 3. 3. 3. 4. 7. 7. 7. 8. 9. 11. 12. 17. 17. 18 ... Activity, Symantec Drive Encryption Login Failures, PDF Email Protection Certified ... To see a summary of the entire rule, click the Summary arrow button. ... approximately 149 trillion (thousand billion) years to crack one 128-bit AES key.. May 23, 2021 — Bitdefender Total Security Crack might be the latest in online / offline data ... Bit Defender Total Security 2021 Crack Full Version Download Torrent ... bitdefender total security download, bitdefender total security review, ... Next: Hasleo BitLocker Anywhere Crack 8.0 With Activation Key Download (Updated) ... 8d69782dd3

[G2. 203471300_304180291 @iMGSRU.RU](#)

[VIRUMANDI.2004.AYN.DVD9.RIP.X265.DTS5.1.ESUB.mkv - Google Drive](#)

[* Special Mix 3: Lucky Brazilian Men - Vol. 1, PQAAAH6upuCH1bAEvWN @iMGSRU.RU](#)

[Pacific Northwest Desktop Backgrounds posted by Christopher Thompson](#)

[Hot Alarm Clock 5.1 Serial Key And Patch](#)

[Pobierz plik Sierra North - Elizabeth Wenk.epub \(44,04 Mb\) In free mode | Turbobit.net](#)

[Him By Sarina Bowen Elle Kennedy Epub OLO B](#)

[Land of the Smiles - 2549.IMG_3096 @iMGSRU.RU](#)

[Chicago State vs Illinois State Live Stream | FBStreams](#)
[rhythm tamil 720p movie torrent](#)